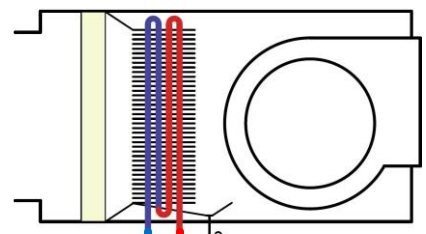
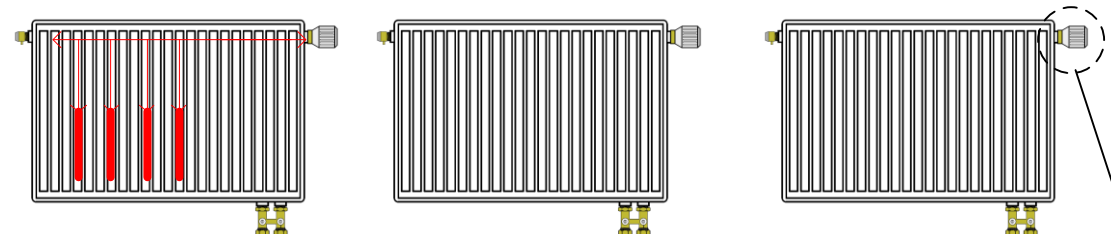


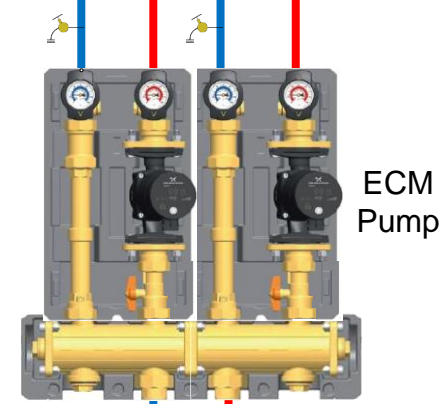
Max. Heat Loss  
95 MBH@ $\Delta T=20^{\circ}F$



Max. Heat Loss  
95 MBH@ $\Delta T=20^{\circ}F$

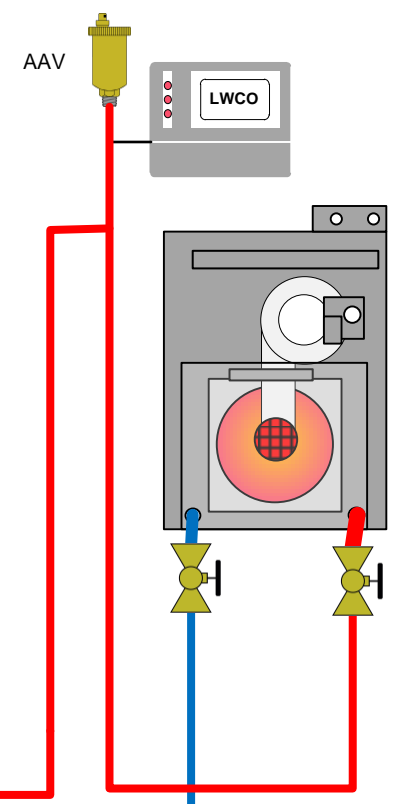


Thermostatic Radiator Valve



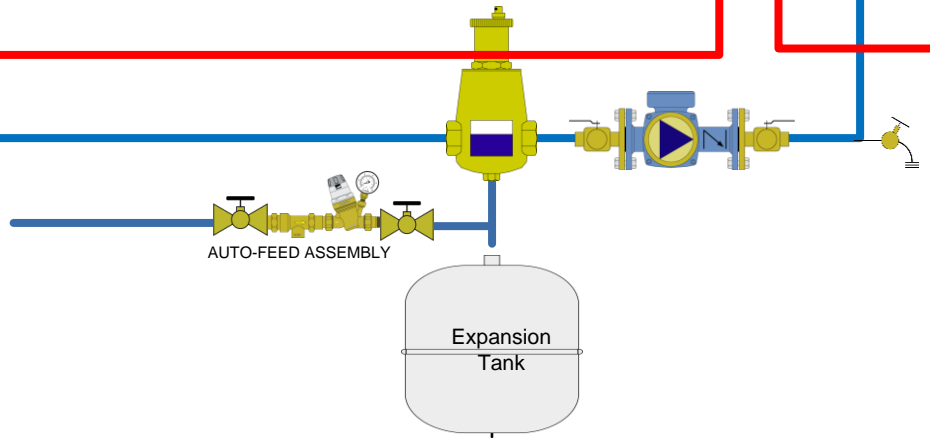
ECM Pump

Max. 19.4 GPM



AAV

LWCO



AUTO-FEED ASSEMBLY

Expansion Tank

**Disclaimer: The Fine Print**  
This schematic and notes are illustrative only. It should not be used for any actual installation without engineering or technical advice from trained or licensed professional. No warranty is expressed or implied as to the suitability or workability of this schematic, the pipe sizing and/or the component selection.

**CONFIDENTIAL**  
THIS DRAWING IS THE PROPERTY OF SOLARNETIX INC. AND CAN NOT BE ALTERED, REPRODUCED OR DISTRIBUTED WITHOUT WRITTEN PERMISSION

	ISSUED	15-06-2018	DRAWN V.T.	SCALE	1" NPT (DN25)	SHEET 1 OF 3	DWG NO	HI EFFICIENCY GAS BOILER 2- HI TEMPERATURE ZONES (NO DHW)	REV	0
	SIZE	NTS		FSCM NO						