



DeltaSol® BS series

The RESOL controllers for standard solar thermal systems. The DeltaSol® BS series provides a clear operating concept.

The intuitive commissioning menu leads you through the initial configuration in only a few steps.

The system selected is shown on the display, the status of the individual components is indicated by means of flashing codes.

The DeltaSol® BS series is available in 3 versions, depending on the demands. Details concerning the number of the relays as well as additional functions are shown in the technical data.

Customised and OEM versions are available on request. Please contact our sales team.



cTUVus
certified!*



RCM compliant according
to Australian standards**



User-friendly and versatile!

DeltaSol® BS series

- Drainback option
- Heat quantity measurement
- Function control
- Commissioning menu
- Unit °C and °F selectable
- HE pump control via adapter

DeltaSol® BS/4, BS Plus

- 3 basic system layouts (DeltaSol® BS/4), 10 basic system layouts (DeltaSol® BS Plus) to choose from
- Tube collector function, thermal disinfection function, time-controlled thermostat function

RESOL DeltaSol® BS – Full kit

Incl. 3 Pt1000 sensors (1 x FKP6, 2 x FRP6)

Price bracket A | Article no. BS/2: **115 412 43**

Price bracket A | Article no. BS/4: **115 425 23**

RESOL DeltaSol® BS Plus – Full kit

Incl. 4 Pt1000 sensors (2 x FKP6, 2 x FRP6)

Price bracket A | Article no.: **115 422 13**

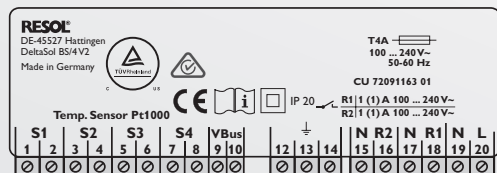


Visit www.resol.de/videos for a product video about this controller

* The cTUVus certification confirms that the controller is certified to UL 60730-1:2009 and CSA B60730.1:2002.

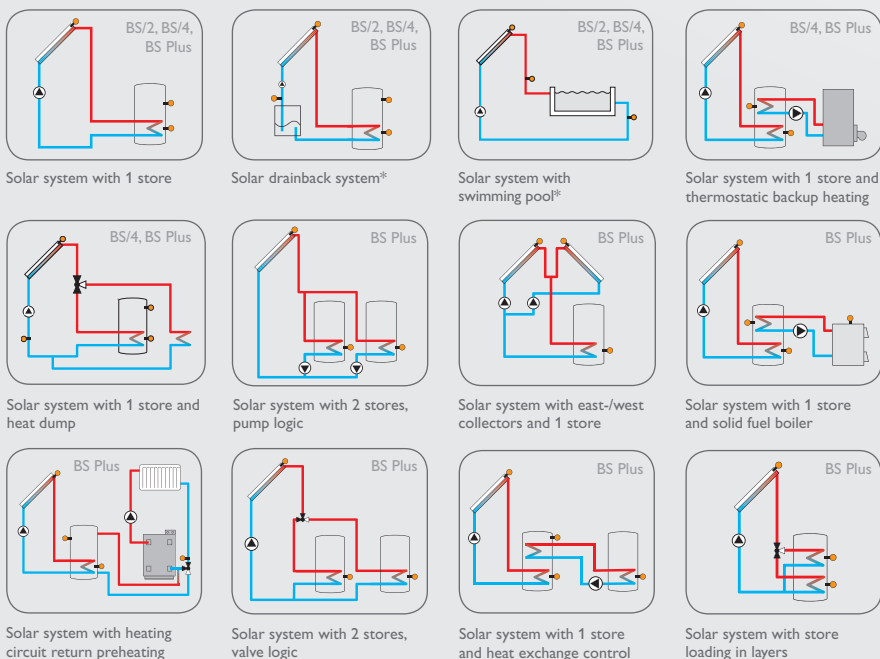
** AS/NZS 60335.1:2011+A1+A2+A3+A4

ELECTRICAL CONNECTION



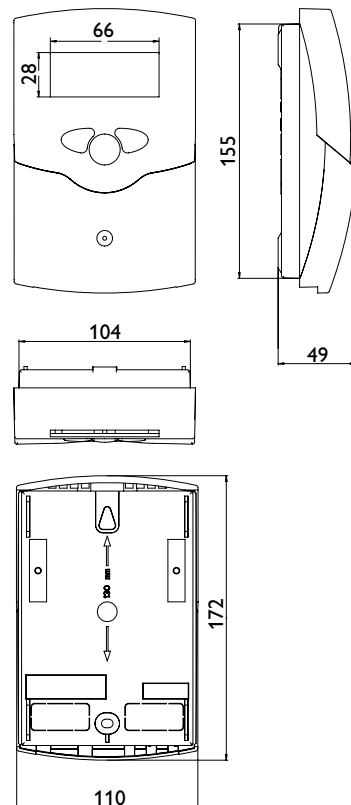
Example DeltaSol® BS/4

EXAMPLES



* Application examples

TECHNICAL DATA



Inputs: 4 Pt1000 temperature sensors

Outputs: 1 semiconductor relay (BS/2), 2 semiconductor relays (BS/4, BS Plus)

Switching capacity:
1 (1) A 240 V~ (semiconductor relay)

Total switching capacity:
1 A 240 V~ (BS/2),
2 A 240 V~ (BS/4, BS Plus)

Power supply: 100 ... 240 V~ (50 ... 60 Hz)

Supply connection: type Y attachment

Standby:
0.45 W (BS/2), 0.74 W (BS/4), 0.38 W (BS Plus)

Temperature controls class: I (BS/4, BS Plus)

Energy efficiency contribution: 1 % (BS/4, BS Plus)

Mode of operation: type 1.C.Y action

Rated impulse voltage: 2.5 kV

Data interface: RESOL VBus®

VBus® current supply: 35 mA

Functions: function control, operating hours counter, tube collector function (BS/4, BS Plus), heat quantity measurement and pump speed control

Housing: plastic, PC-ABS and PMMA

Mounting: wall mounting, mounting into patch panels is possible

Indication/Display: System-Monitoring-Display for system visualisation, 16-segment and 7-segment display, 8 symbols for indication of system status and operating control LED

Operation: 3 push buttons

Ingress protection: IP 20/EN 60529

Protection class: II

Ambient temperature: 0 ... 40 °C

Pollution degree: 2

Dimensions: 172 x 110 x 49 mm

ACCESSORIES



RESOL AM1
Alarm module for signaling system failures

RESOL PSW Basic



Pump signal converter

Price bracket B | Article no.: **180 010 50**

RESOL VBus®/USB interface adapter



PC connection kit for RESOL controllers with VBus® incl. Service CD

Price bracket B | Article no.: **180 008 50**

RESOL SP10



Sensor overvoltage protection

Price bracket A | Article no.: **180 110 70**

RESOL SD3 Smart Display



Display module for the living area with 3 displays for collector and store temperature as well as for heat quantity

Price bracket A | Article no.: **180 004 90**