

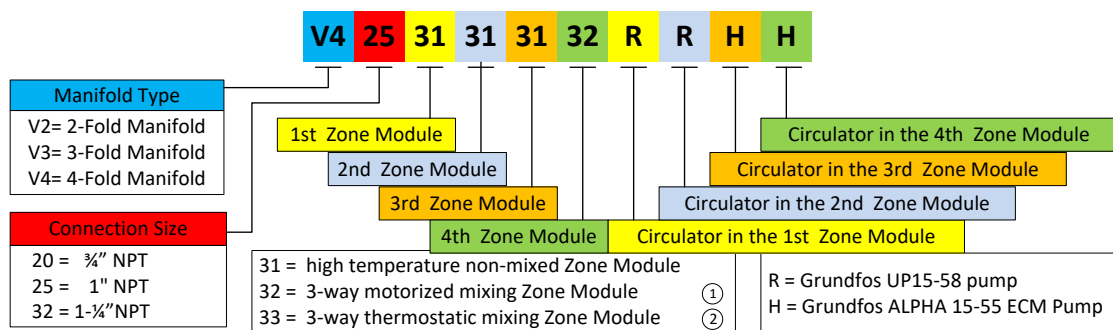
MOTORIZED MIXING 2 TO 4 ZONE PANELS ¾", 1", 1-¼"

Part Number	Description	Output MBH*
V2-20-3132HH	0.75" – 1 x HI TEMP + 1x Motorized Mix ZONE PANEL with 2 X ALPHA 15-55 Pump	96.6 MBH*
V2-20-3132RH	0.75" – 1 x HI TEMP UP15-58 + 1x Motorized Mix ZONE PANEL with ALPHA 15-55 Pump	96.6 MBH*
V2-20-3232HH	0.75" – 2 x Motorized Mix ZONE PANEL with 2 X ALPHA 15-55 Pump	80.0 MBH*
V2-25-3132HH	1" – 1 x HI TEMP + 1x Motorized Mix ZONE PANEL with 2 X ALPHA 15-55 Pump	158.0 MBH*
V2-25-3132RH	1" – 1 x HI TEMP UP15-58 + 1x Motorized Mix ZONE PANEL with ALPHA 15-55 Pump	158.0 MBH*
V2-25-3232HH	1" – 2 x Motorized Mix ZONE PANEL with 2 X ALPHA 15-55 Pump	126.0 MBH*
V2-32-3132HH	1.25" – 1 x HI TEMP + 1x Motorized Mix ZONE PANEL with 2 X ALPHA 15-55 Pump	220.0 MBH*
V2-32-3132RH	1.25" – 1 x HI TEMP UP15-58 + 1x Motorized Mix ZONE PANEL with ALPHA 15-55 Pump	220.0 MBH*
V2-32-3232HH	1.25" – 2 x Motorized Mix ZONE PANEL with 2 X ALPHA 15-55 Pump	194.0 MBH*
V3-20-313132HHH	0.75" – 2 x HI TEMP + 1x Motorized Mix ZONE PANEL with ALPHA 15-55 Pump	153.2 MBH*
V3-20-313132RHH	0.75" – 2 x HI TEMP (1x UP15-58 & 1x Alpha15-55F) + 1x Motorized Mix ZONE PANEL w ALPHA 15-55)	153.2 MBH*
V3-20-313132RRH	0.75" – 2 x HI TEMP (2 x UP15-58) + 1x Motorized Mix ZONE PANEL w ALPHA 15-55)	153.2 MBH*
V3-20-313232RHH	0.75" – 1 x HI TEMP w UP15-58 + 2 x Motorized Mix ZONE PANEL 1 X ALPHA 15-55 Pump	136.0 MBH*
V3-20-313232HHH	0.75" – 1 x HI TEMP w ALPHA 15-55 Pump + 2 x Motorized Mix ZONE PANEL 1 X ALPHA 15-55 Pump	136.0 MBH*
V3-20-323232HHH	0.75" – 3 x Motorized Mix ZONE PANEL with 3 X ALPHA 15-55 Pump	120.0 MBH*
V3-25-313132HHH	1" – 2 x HI TEMP + 1x Motorized Mix ZONE PANEL with ALPHA 15-55 Pump	253.0 MBH*
V3-25-313132RHH	1" – 2 x HI TEMP (1x UP15-58 & 1x Alpha15-55F)+1x Motorized Mix ZONE PANEL (ALPHA 15-55)	253.0 MBH*
V3-25-313132RRH	1" – 2 x HI TEMP (2 x UP15-58) + 1x Motorized Mix ZONE PANEL w ALPHA 15-55)	253.0 MBH*
V3-25-313232RHH	1" – 1 x HI TEMP w UP15-58 + 2 x Motorized Mix ZONE PANEL 1 X ALPHA 15-55 Pump	221.0 MBH*
V3-25-313232HHH	1" – 1 x HI TEMP w ALPHA 15-55 + 2 x Motorized Mix ZONE PANEL 1 X ALPHA 15-55 Pump	221.0 MBH*
V3-25-323232HHH	1" – 3 x Motorized Mix ZONE PANEL with 3 X ALPHA 15-55 Pump	189.0 MBH*
V3-32-313132HHH	1.25" – 2 x HI TEMP + 1x Motorized Mix ZONE PANEL with ALPHA 15-55 Pump	343.0 MBH*
V3-32-313132RHH	1.25" – 2 x HI TEMP (1x UP15-58 & 1x Alpha15-55F)+1x Motorized Mix ZONE PANEL (ALPHA 15-55)	343.0 MBH*
V3-32-313132RRH	1.25" – 2 x HI TEMP (2 x UP15-58) + 1x Motorized Mix ZONE PANEL w ALPHA 15-55)	343.0 MBH*
V3-32-313232RHH	1.25" – 1 x HI TEMP w UP15-58 + 2 x Motorized Mix ZONE PANEL 1 X ALPHA 15-55 Pump	317.0 MBH*
V3-32-313232HHH	1.25" – 1 x HI TEMP w ALPHA 15-55 + 2 x Motorized Mix ZONE PANEL 1 X ALPHA 15-55 Pump	317.0 MBH*
V3-32-323232HHH	1.25" – 3 x Motorized Mix ZONE PANEL with 3 X ALPHA 15-55 Pump	291.0 MBH*
V4-20-31313132HHHH	0.75" -3 x HI TEMP + 1 x Motorized Mix ZONE PANEL 4 X ALPHA 15-55 Pump	209.8 MBH*
V4-20-31313132RHHH	0.75" -3 x HI TEMP(1xUP15-58 & 2x Alpha15-55F) +1x Motorized Mix ZONE PANEL w ALPHA 15-55 Pump	209.8 MBH*
V4-20-31313132RRHH	0.75" -3 x HI TEMP(2xUP15-58 & 1x Alpha15-55F) +1x Motorized Mix ZONE PANEL w ALPHA 15-55 Pump	209.8 MBH*
V4-20-31313132RRRH	0.75" -3 x HI TEMP (3x UP15-58) +1x Motorized Mix ZONE PANEL w ALPHA 15-55 Pump	209.8 MBH*
V4-20-31313232HHHH	0.75" – 2 x HI TEMP + 2 x Motorized Mix ZONE PANEL 4 X ALPHA 15-55 Pump	193.2 MBH*
V4-20-31313232RHHH	0.75"-2 x HI TEMP (1xUP15-58 +1x ALPHA 15-55)+2xMotorized Mix ZONE PANEL w ALPHA 15-55 Pump	193.2 MBH*

V4-20-31313232RRHH	0.75"-2 x HI TEMP (2xUP15-58)+2xMotorized Mix ZONE PANEL w ALPHA 15-55 Pump	193.2 MBH*
V4-20-31323232HHHH	0.75"- 1 x HI TEMP + 3 x Motorized Mix ZONE PANEL 4 X ALPHA 15-55 Pump	176.6 MBH*
V4-20-31323232RHHH	0.75"- 1x HI TEMP with UP15-58 + 3 x Motorized Mix ZONES with ALPHA 15-55 Pump	176.6 MBH*
V4-25-31313132HHHH	1" -3 x HI TEMP + 1 x Motorized Mix ZONE PANEL 4 X ALPHA 15-55 Pump	348.0 MBH*
V4-25-31313132RHHH	1" -3 x HI TEMP(1xUP15-58 & 2x Alpha15-55F) +1x Motorized Mix ZONE PANEL w ALPHA 15-55 Pump	348.0 MBH*
V4-25-31313132RRHH	1" -3 x HI TEMP(2xUP15-58 & 1x Alpha15-55F) +1x Motorized Mix ZONE PANEL w ALPHA 15-55 Pump	348.0 MBH*
V4-25-31313132RRRH	1" -3 x HI TEMP (3x UP15-58) +1x Motorized Mix ZONE PANEL w ALPHA 15-55 Pump	348.0 MBH*
V4-25-31313232HHHH	1" -2 x HI TEMP + 2 x Motorized Mix ZONE PANEL 4 X ALPHA 15-55 Pump	316.0 MBH*
V4-25-31313232RHHH	1" -2 x HI TEMP (1xUP15-58 +1x ALPHA 15-55)+2xMotorized Mix ZONE PANEL w ALPHA 15-55 Pump	316.0 MBH*
V4-25-31313232RRHH	1" -2 x HI TEMP with UP15-58 + 2 x Therm Mix ZONE PANEL with ALPHA 15-55 Pump	316.0 MBH*
V4-25-31323232HHHH	1"- 1 x HI TEMP + 3 x Motorized Mix ZONE PANEL 4 X ALPHA 15-55 Pump	284.0 MBH*
V4-25-31323232RHHH	1" - 1x HI TEMP with UP15-58 + 3 x Motorized Mix ZONES with ALPHA 15-55 Pump	284.0 MBH*
V4-32-31313132HHHH	1.25" -3 x HI TEMP + 1 x Motorized Mix ZONE PANEL 4 X ALPHA 15-55 Pump	466.0 MBH*
V4-32-31313132RHHH	1.25" -3 x HI TEMP(1xUP15-58 & 2x Alpha15-55F) +1x Motorized Mix ZONE PANEL w ALPHA 15-55 Pump	466.0 MBH*
V4-32-31313132RRHH	1.25" -3 x HI TEMP(2xUP15-58 & 1x Alpha15-55F) +1x Motorized Mix ZONE PANEL w ALPHA 15-55 Pump	466.0 MBH*
V4-32-31313132RRRH	1.25" -3 x HI TEMP (3x UP15-58) +1x Motorized Mix ZONE PANEL w ALPHA 15-55 Pump	466.0 MBH*
V4-32-31313232HHHH	1.25" -2 x HI TEMP + 2 x Motorized Mix ZONE PANEL 4 X ALPHA 15-55 Pump	440.0 MBH*
V4-32-31313232RHHH	1.25" -2 x HI TEMP (1xUP15-58 +1x ALPHA 15-55)+2xMotorized Mix ZONE PANEL w ALPHA 15-55 Pump	440.0 MBH*
V4-32-31313232RRHH	1.25"-2 x HI TEMP with UP15-58 + 2 x Therm Mix ZONE PANEL with ALPHA 15-55 Pump	440.0 MBH*
V4-32-31323232HHHH	1.25"- 1 x HI TEMP + 3 x Motorized Mix ZONE PANEL 4 X ALPHA 15-55 Pump	414.0 MBH*
V4-32-31323232RHHH	1.25" - 1x HI TEMP with UP15-58 + 3 x Motorized Mix ZONES with ALPHA 15-55 Pump	414.0 MBH*

* Maximum System load capacity @20°F dT and 4 ft. /sec flow velocity in the pipe. May require multiple parallel manifold connections.

Catalog Number Selection



① Only available with type H = Grundfos ALPHA 15-55 ECM Pump

② Only available in ¾" and 1" connection size Zone Modules

This table is intended for use in breaking down existing catalog numbers. It is not intended for building new catalog numbers.

Note:

The following product lists and application drawings are general representation only. Each panel configuration dictates the required components, including pump type. See the Technical Data section of the manual for specific information on each part in your particular variation of the P-Series Modular Hydronic Zone Panel System.