

PROJECT: _____	UNIT TAG: _____	QUANTITY: _____
REPRESENTATIVE: _____	TYPE OF SERVICE: _____	DATE: _____
ENGINEER: _____	SUBMITTED BY: _____	DATE: _____
CONTRACTOR: _____	APPROVED BY: _____	DATE: _____
	ORDER NO.: _____	DATE: _____

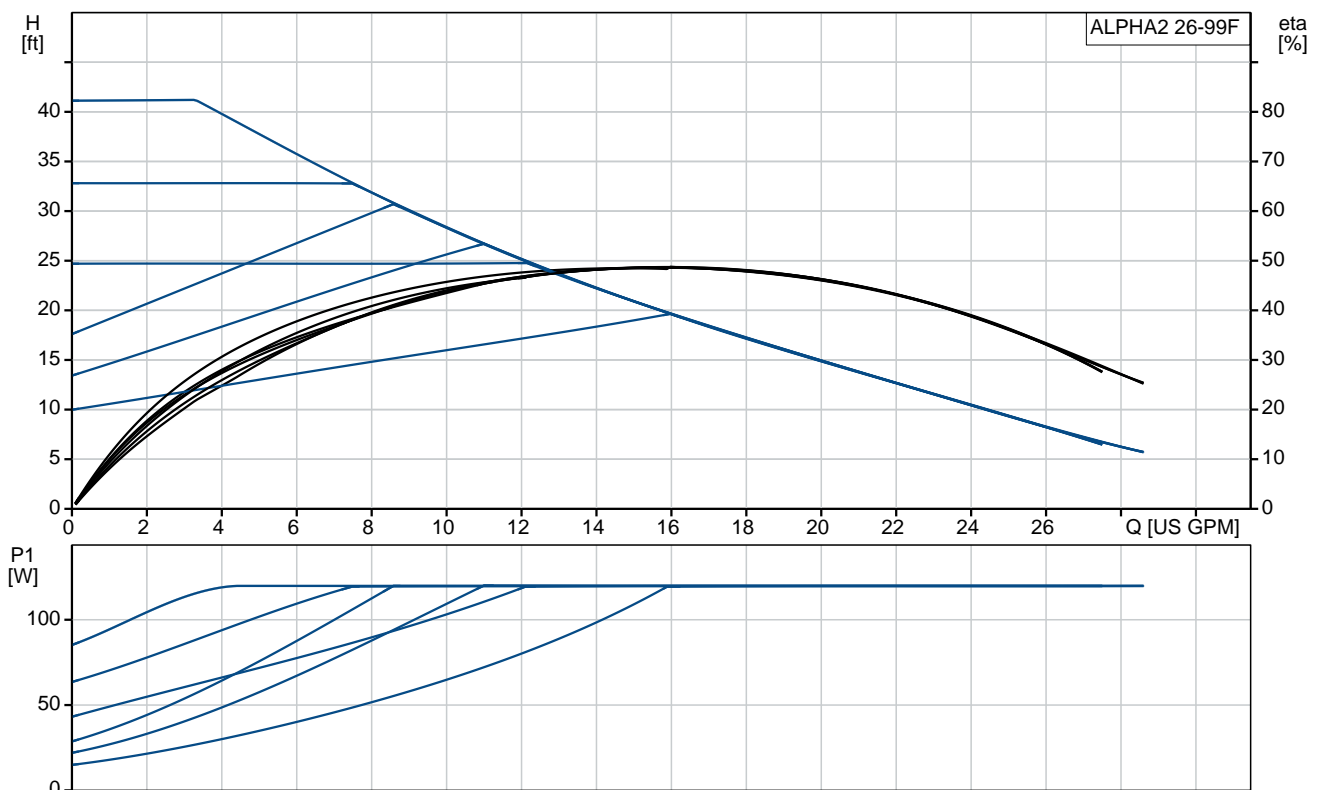


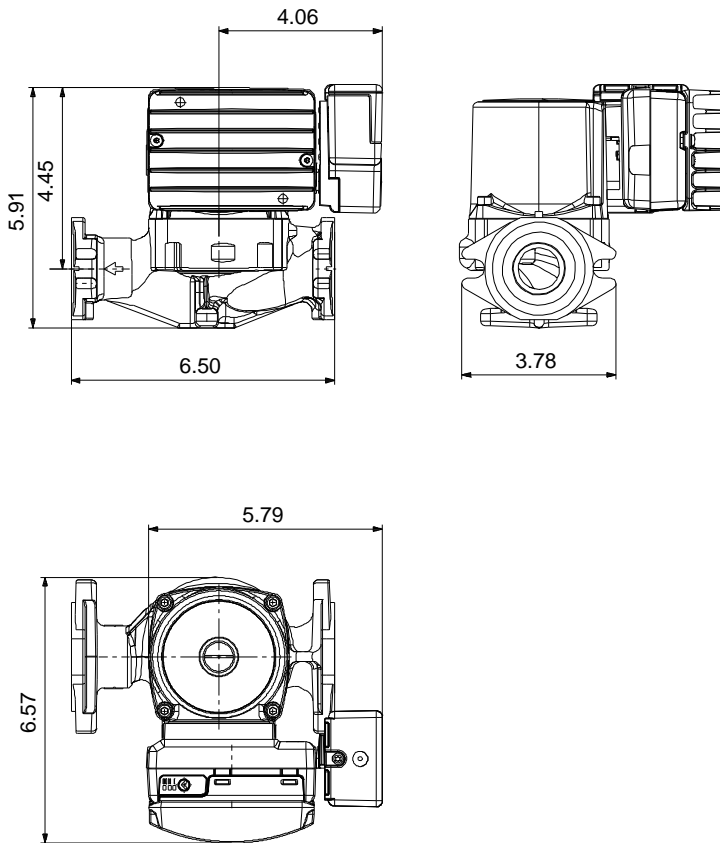
ALPHA2 26-99F

Grundfos ALPHA2 pumps are high-efficiency circulators, designed for circulating liquids in heating systems, and for domestic hot-water recirculation. The pump features AUTOADAPT which automatically adjusts the pump to system demands for lowest energy consumption.

Note! Product picture may differ from actual product

Conditions of Service	Pump Data	Motor Data
Flow: _____	Maximum operating pressure: 145.04 psi	P1 max: 3 .. 120 W
Head: _____	Liquid temperature range: 14 .. 203 °F	Rated voltage: 115 V
Efficiency: _____	Maximum ambient temperature: 131 °F	Mains frequency: 60 Hz
Liquid: Water	Approvals: UL	Enclosure class: IP42
Temperature: 140 °F	Pipe connection: 1 1/4	Insulation class: F
NPSH required: ft	Product number: 99490916	Motor protection: NONE
Viscosity: _____		Thermal protection: ELEC
Specific Gravity: 0.985		





Materials:

Pump housing: Cast iron
EN 1561 EN-GJL-150
Impeller: Composite

Qty. Description

1 ALPHA2 26-99F



Note! Product picture may differ from actual product

Product No.: [99490916](#)

The Grundfos ALPHA2 is a medium sized high-efficiency, variable speed circulator fitted with electronically commutated motor. Designed for circulating liquids in heating systems.

It features a constant pressure control mode and a proportional pressure control mode each with three settings, and constant pressure and proportional pressure AUTOADAPT.

The constant and proportional pressure AUTOADAPT mode enables the pump to continuously adjust the pump performance to the actual heat demand, i.e. the size of the system and the changing heat demands during the year. The function will find the setting that provides optimal comfort with minimal energy consumption. It contributes to fast, safe and easy commissioning.

The one-button operation and LED display makes the selection of the settings easy.

ALPHA2 materials and design are resistant to blockage from magnetite found in hydronic systems.

ALPHA2 is complete with an integrated check-valve.

It is fitted with a terminal box for conduit connections.

Liquid:

Pumped liquid:	Water
Liquid temperature range:	14 .. 203 °F
Selected liquid temperature:	140 °F
Density:	61.35 lb/ft ³

Technical:

TF class:	110
Approvals on nameplate:	UL

Materials:

Pump housing:	Cast iron EN 1561 EN-GJL-150
Impeller:	Composite

Installation:

Range of ambient temperature:	32 .. 131 °F
Maximum operating pressure:	145.04 psi
Type of connection:	GF
Pipe connection:	1 1/4
Pressure rating:	PN 10



Company name:

Created by:

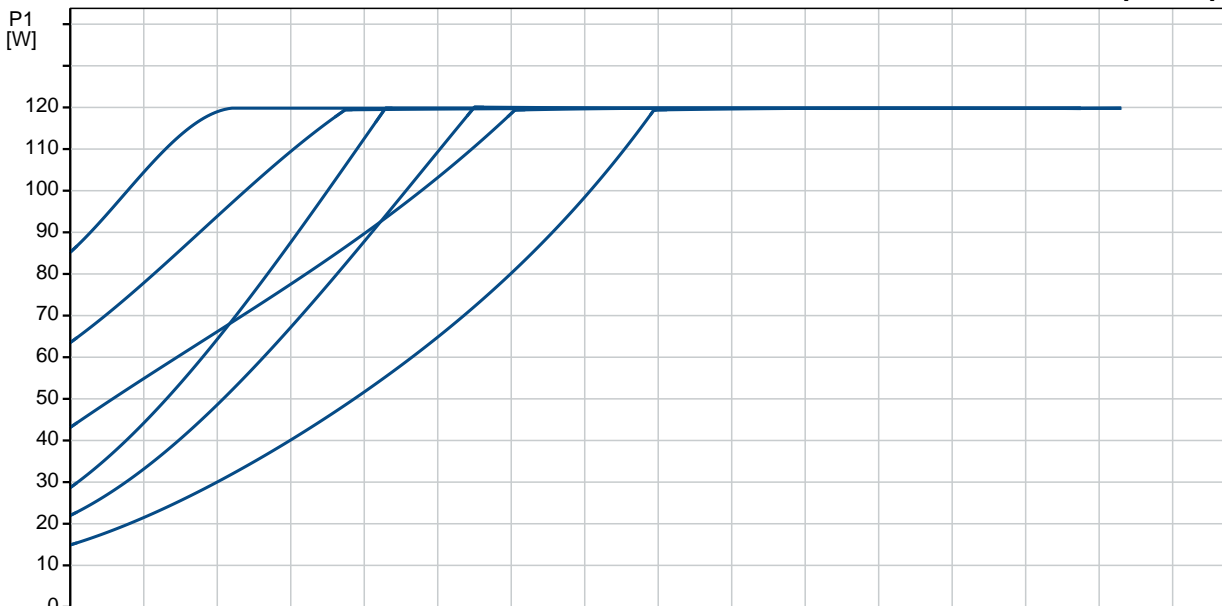
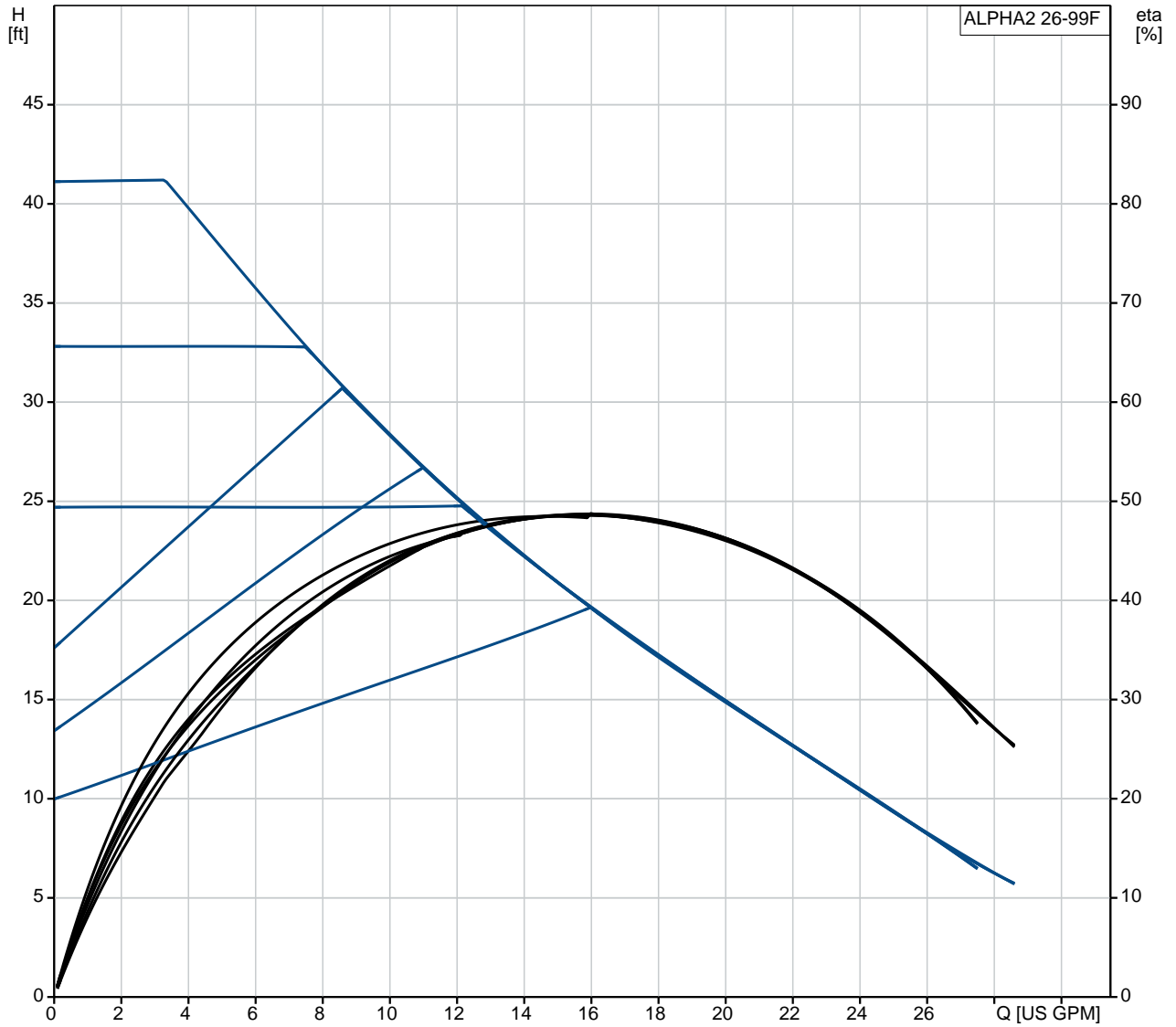
Phone:

Date:

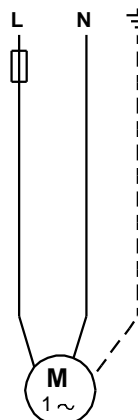
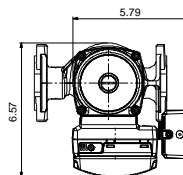
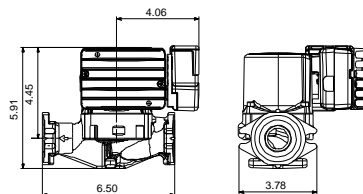
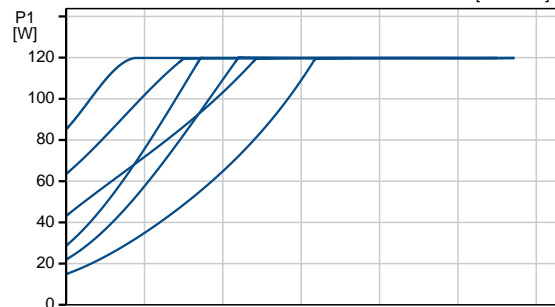
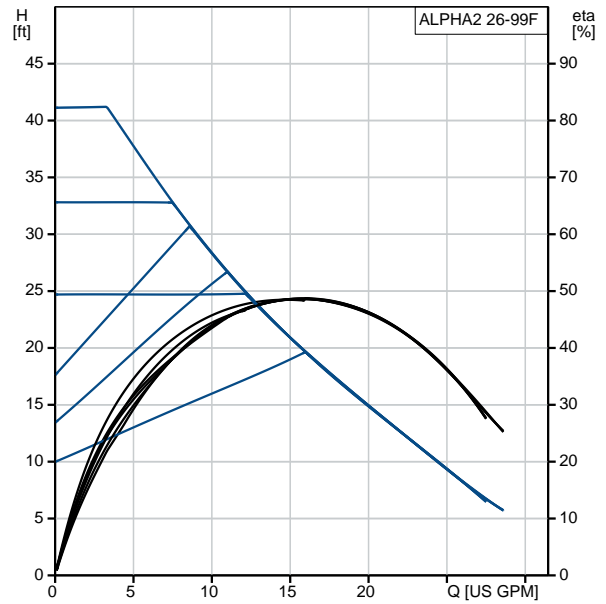
25/08/2020

Qty.	Description
	<p data-bbox="199 338 651 371">Port-to-port length: 6 1/2 in</p> <p data-bbox="199 398 379 432">Electrical data:</p> <p data-bbox="199 432 683 465">Power input - P1: 3 .. 120 W</p> <p data-bbox="199 465 635 499">Mains frequency: 60 Hz</p> <p data-bbox="199 499 675 533">Rated voltage: 1 x 115 V</p> <p data-bbox="199 533 707 566">Maximum current consumption: 0.05 .. 1.7 A</p> <p data-bbox="199 566 619 600">Enclosure class (IEC 34-5): IP42</p> <p data-bbox="199 600 587 633">Insulation class (IEC 85): F</p> <p data-bbox="199 660 292 694">Others:</p> <p data-bbox="199 694 643 728">Net weight: 7.71 lb</p> <p data-bbox="199 728 643 761">Gross weight: 8.47 lb</p> <p data-bbox="199 761 643 795">Shipping volume: 271 ft³</p>

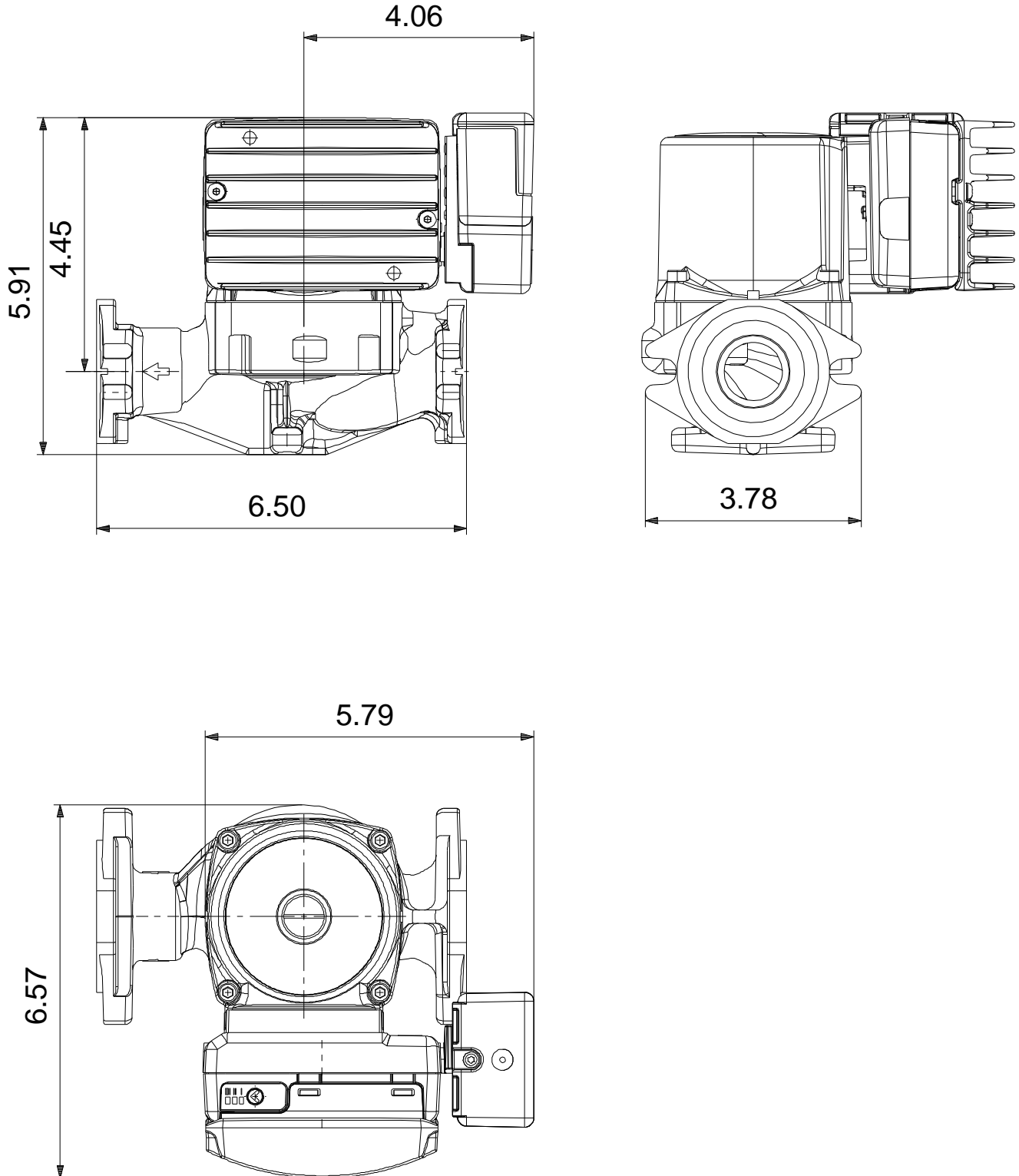
99490916 ALPHA2 26-99F 60 Hz



Description	Value
General information:	
Product name:	ALPHA2 26-99F
Product No:	99490916
EAN number:	5713829959309
	5713829959309
Technical:	
Head max:	32.48 ft
TF class:	110
Approvals on nameplate:	UL
Materials:	
Pump housing:	Cast iron
	EN 1561 EN-GJL-150
Impeller:	Composite
Installation:	
Range of ambient temperature:	32 .. 131 °F
Maximum operating pressure:	145.04 psi
Type of connection:	GF
Pipe connection:	1 1/4
Pressure rating:	PN 10
Port-to-port length:	6 1/2 in
Liquid:	
Pumped liquid:	Water
Liquid temperature range:	14 .. 203 °F
Selected liquid temperature:	140 °F
Density:	61.35 lb/ft³
Electrical data:	
Power input - P1:	3 .. 120 W
Mains frequency:	60 Hz
Rated voltage:	1 x 115 V
Maximum current consumption:	0.05 .. 1.7 A
Enclosure class (IEC 34-5):	IP42
Insulation class (IEC 85):	F
Motor protec:	NONE
Thermal protec:	ELEC
Controls:	
Pos term box:	6H
Others:	
Net weight:	7.71 lb
Gross weight:	8.47 lb
Shipping volume:	271 ft³
Sales region:	USA

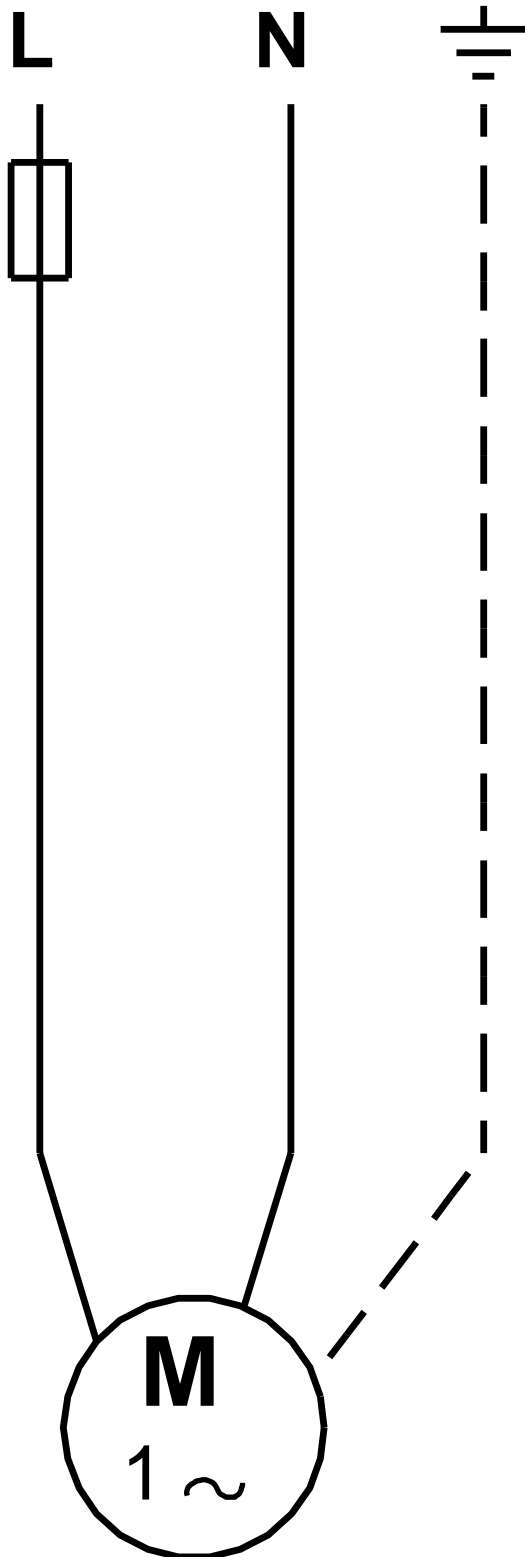


99490916 ALPHA2 26-99F 60 Hz



Note! All units are in [in] unless others are stated.
Disclaimer: This simplified dimensional drawing does not show all details.

99490916 ALPHA2 26-99F 60 Hz



Note! All units are in [in] unless others are stated.